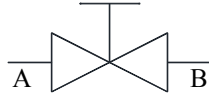


## Stop Valve

These valves allow free flow in both the direction when the adjusting knob is open and prevents the flow when knob is fully closed.

### Graphic Symbol



## Specifications

Model Numbers	Rated Flow L/min.	Max. Operating Press. Kgf/cm <sup>2</sup>	Mass Kg.
SVG-01-10	100	250	2.6

## Model Number Designation

F-	SV	G	-01	-10 <sup>*1</sup>	80
Special Seals	Series Number	Type of Connection	Valve Size	Design Number	Design Standard
<b>F:</b> Special seals for Phosphate ester type fluid (Omit if not required)	<b>SV:</b> Stop Valve	<b>G:</b> Sub-plate Mounting	<b>01</b>	<b>10</b>	<b>80</b>

\*1 Design numbers subject to change. But installation dimensions remain same as shown.

## Instructions

### Knob Adjustment

Loosen the Jam-nut and turn the control knob clockwise for flow cut-off and anti-clockwise for flow output.

## Mounting Bolts

Valve Model Numbers	Soc. head cap screw	Qty.	Mounting Bolt Ordering Code
SVG-01-10	M8 x 45 Lg.	4	BKSVG-01-10

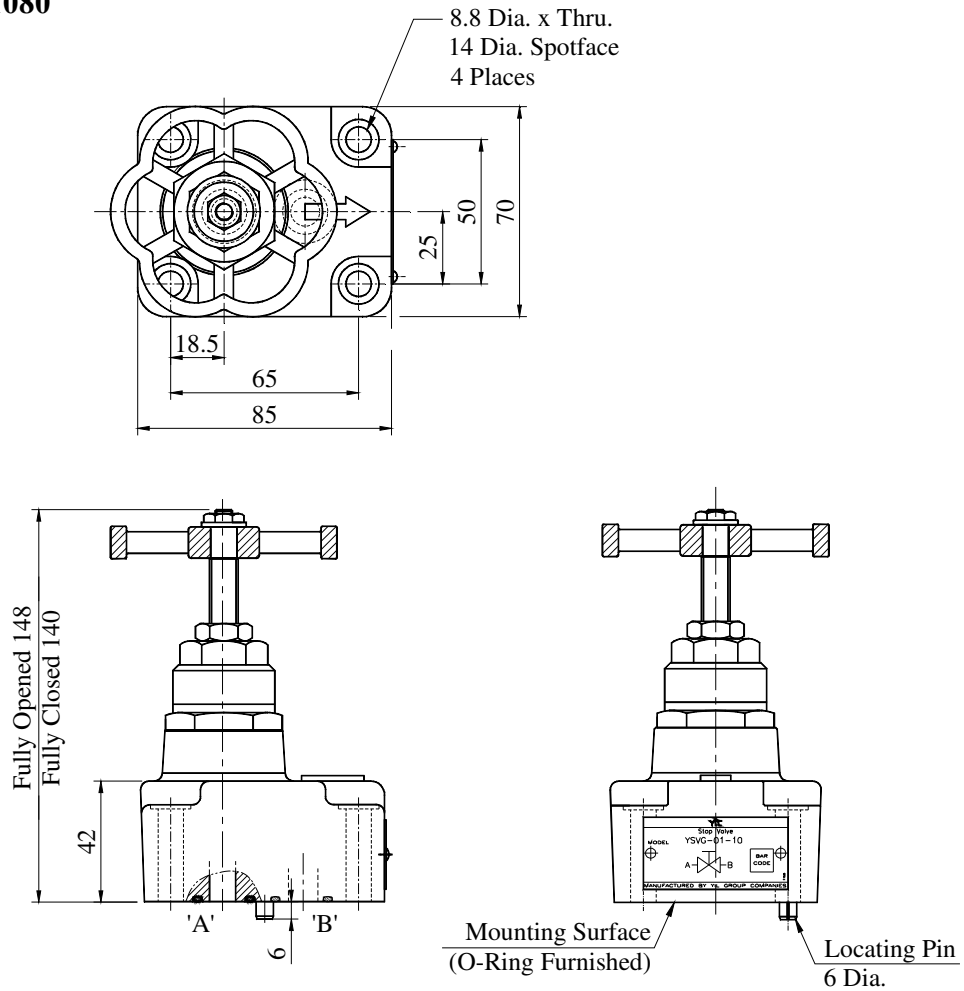
## Sub-plates

Valve Model Number	Sub-plate Model Numbers	Thread Size	Mass (Approx.) Kg
SVG-01-10	SVGGM-01-1080	1/4 BSP.F	1.6
	SVGGM-01X-1080	3/8 BSP.F	

Sub-plates are available. Specify sub-plate model from the table above.

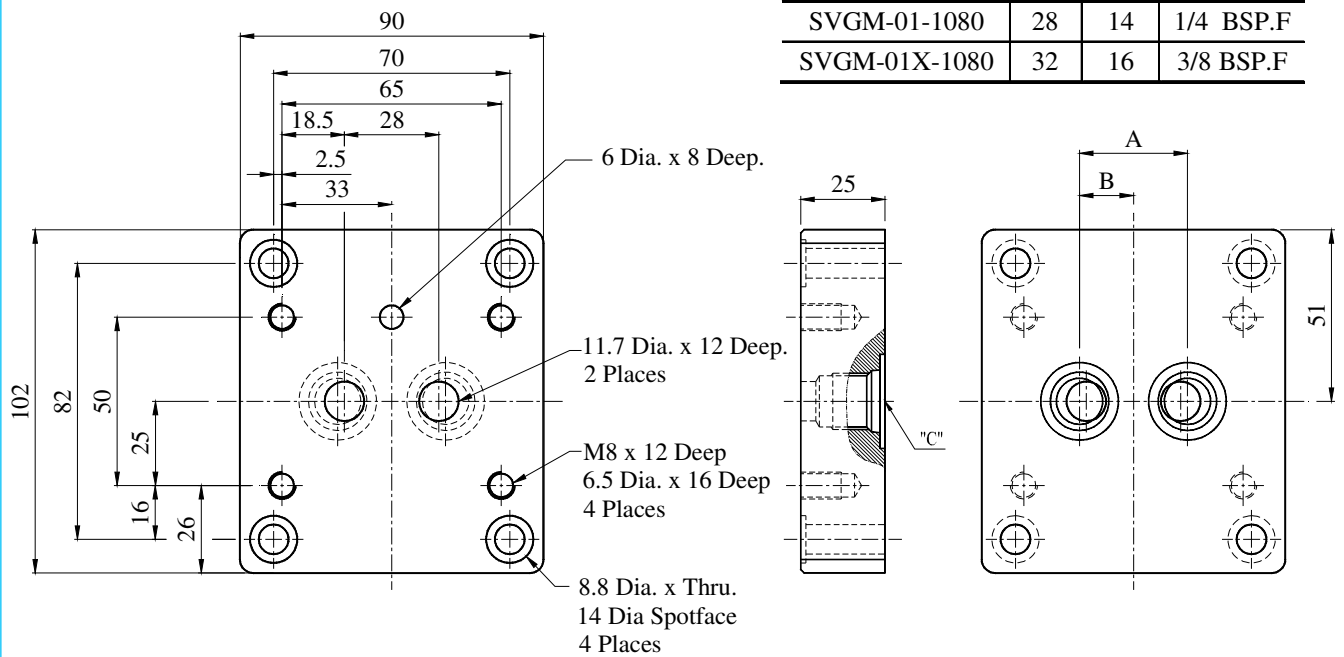
When sub-plates are not used, the mounting surface should have a good machined finished.

• SVG-01-1080



DIMENSIONS IN MILLIMETRES

• Sub Plate SVGM-01-1080  
SVG M-01X-1080



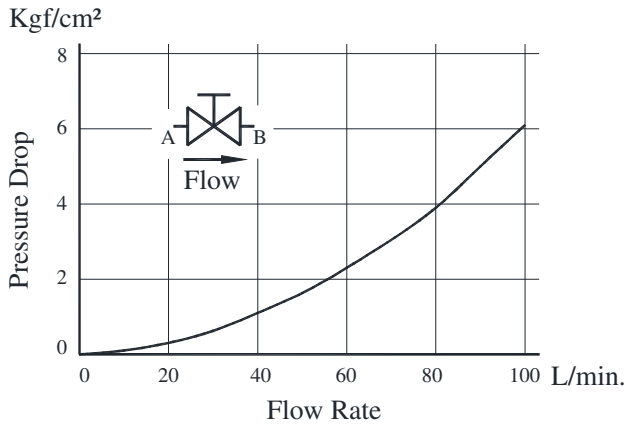
Sub-plate Model Numbers	Dimensions		
	A	B	C
SVG M-01-1080	28	14	1/4 BSP.F
SVG M-01X-1080	32	16	3/8 BSP.F

Stop Valve

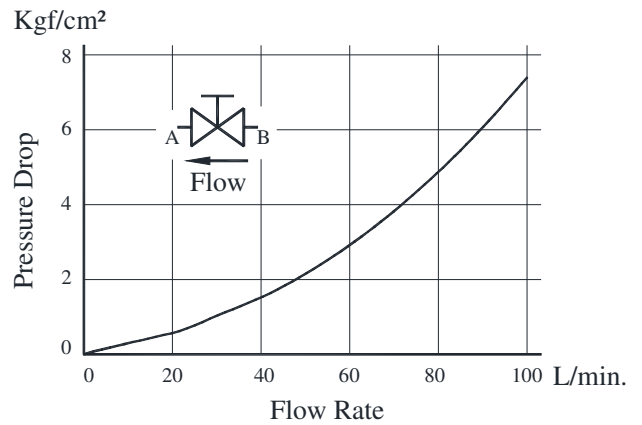
## Typical Performance Characteristics

Hydraulic Fluid: Viscosity 35cSt, Specific Gravity 0.850

### Free Flow Pressure Drop



### Reverse Free Flow Pressure Drop



## Spare Parts List

### List of Seals

Sl. No.	Name of Parts	Part Nos.	Qty.
1	O-Ring	SO-NA-P10	1
2	O-Ring	SO-NA-P18	2
3	O-Ring	SO-NB-P26	1
5	Backup Ring	SO-BB-P10	1

Note : When ordering the seals, please specify the seal kit numbers from the table below.

### List of Seal Kits

Model Nos.	Seal Kit Numbers
SVG-01-10	KS-SVG-01-10